

# DEMAGNETIZER TUNNEL

SAV 890.42

To demagnetize all type of pieces

**Use :**

After some operations, the parts can have some magnetic persistence, which is not ideal in some cases. For some applications, these parts must be demagnetized. In the generality of cases, demagnetizer tunnel fill perfectly this function.

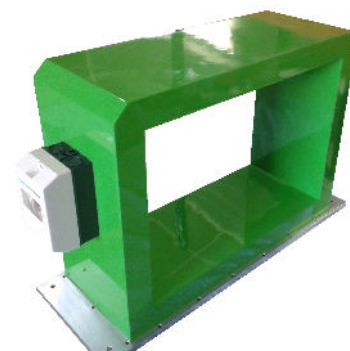
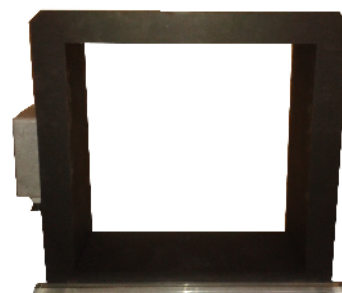
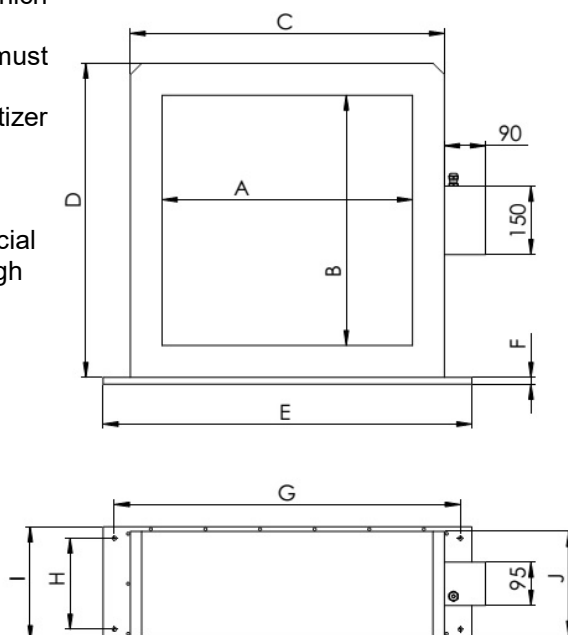
**Characteristics :**

The degaussing coil is cast in a special resin. Provided with mounting through holes in black paint.

**Option :**

Frequency generator  
Power module

Protection : IP54  
Voltage : 230Vac/400Vac  
Frequency : 50 – 60 hz  
Thermal protection  
Indicator light  
2 meter cable (without plug)  
(Other voltage on request)



Dimensions in mm										Voltage	Power	max. magnetic	Weight
A	B	C	D	E	F	G	H	I	J	VAC	VA	field kA/m	in kg
55	55	150	150	200	10	180	100	120	100	230/400	190/140	40	9
150	100	320	270	408	12	358	110	170	150	230/400	1400/1200	33	40
170	170	310	310	350	15	330	145	175	175	230/400	1650/1400	25	45
250	250	390	390	520	15	460	150	200	180	230/400	3000/2800	22	60
250	350	390	490	520	15	460	200	250	230	230/400	3500/3200	18	75
260	130	430	300	520	15	475	115	185	165	230/400	2600/3200	30	65
300	350	440	490	560	15	510	200	250	230	230/400	5000/4000	18	85
350	300	490	440	610	15	560	200	250	230	230/400	5000/4000	18	85
350	450	490	590	610	15	560	200	250	230	400	8500	17	100
400	200	540	340	660	15	595	150	250	230	230/400	4500/4500	24	85
400	400	540	540	660	15	580	150	250	230	400	5000	18	110
420	300	560	440	680	15	630	200	250	230	230/400	6000/5600	18	90
500	250	640	390	760	15	700	200	250	230	230/400	5000/4800	18	90
550	550	690	690	810	15	760	200	250	230	400	18000	15	145
560	350	700	490	820	15	770	200	250	230	400	9500	15	110
700	300	840	440	960	15	910	200	250	230	400	10000	15	120
710	350	850	490	970	15	920	200	250	230	400	12000	13	130
710	550	850	690	970	15	920	200	250	230	400	18000	12	162
820	200	960	340	1080	15	1030	200	250	230	400	16000	20	145
900	300	1040	440	1160	15	1110	200	250	230	400	20000	15	155
1000	500	1160	660	1340	15	1292	280	330	290	400	20000	11	252
1000	1075	1160	1235	1260	15	1210	440	510	470	400	25000	9	460
1200	125	1360	285	1460	15	1410	200	250	230	400	10000	13	185
1300	500	1460	660	1640	15	1592	280	330	290	400	25000	9	275

Other dimensions on request

**Example of order:**

Demagnetizer tunnel  
Designation

SAV 890.42 - 150 x 100 - 230V  
SAV N° - A x B - Voltage