

LIQUID SEPARATOR

SAV 249.71

Use :

To be installed between the vacuum plate and the pump
Manual emptying.

- Filters grinding dust, chips, liquids and machining residues
- Easy to use thanks to its low weight
- Level directly visible
- Model S20 with pneumatic assistance



249.71-S1



249.71-9



249.71-13

Standard delivery :

- with 2 hoses of 0.5 m for the 9 liters
- with 2 connections for the others

Automatic liquid separator on request

Volume in l	Dimensions in mm		Connection diameter	Weight in kg
	Diameter	Height		
S1	50	200	1"	1,0
S20	300	500	1"	10,0
9	210	403	LW 12	4,5
13	320	340	LW 32	9,0
72	500	645	LW 32	40,0



249.71-S20



249.71-72

The S1 model can be delivered with 3/8" - 1/2" - 3/4" - 1" connection on request

Example of order:

Liquid separator

SAV 249.71 - S20

Designation

SAV N° - capacity

LIQUID SEPARATOR WITH FLOAT

SAV 249.71-SLF

To separate liquids and solids

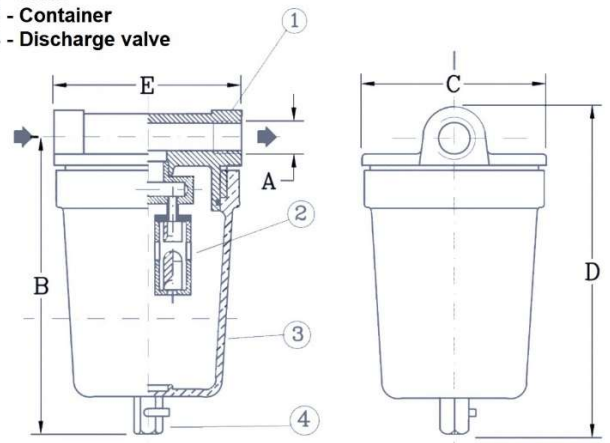
Use :

To be installed between the vacuum plate and the pump.
Manual emptying.
Ideal for work under liquid.

Features :

- Liquid separation degree 99%
- With integrated float which stops the vacuum in the event of overload
- Transparent container for optical monitoring

- 1 - Body
- 2 - Float
- 3 - Container
- 4 - Discharge valve



Type	Flow in m ³ /h	mbar max absolute	Nbre float	Volume in L	Dimensions in mm					Weight in kg
					A	B	C	D	E	
SLF25	25	1x10 ⁻²	1	0,1	1/2"	180	87	205	90	0,5
SLF50	50	1x10 ⁻²	2	0,5	1"	255	130	275	132	1,2
SLF80	80	1x10 ⁻²	3	0,5	1"	255	130	275	132	1,5
SLF110	110	1x10 ⁻²	4	0,9	1"1/2	335	130	355	132	2
SLF180	180	1x10 ⁻²	1	3	2"	430	190	465	180	4
SLF300	300	1x10 ⁻²	2	3	2"1/2	440	190	480	180	4

Example of order:

Liquid separator

SAV 249.71 - SLF - 50

Designation

SAV N° - Type