

ELECTROMAGNETIC LIFTER 230Vac

SAV 531.40F

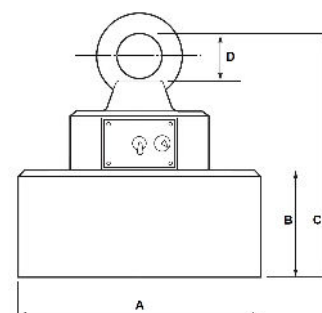
Use :

For lifting and transporting single or bulk parts (screws, shavings, ferrous waste, etc.)

Features :

- Electromagnet operating in 230 Vac
- Length of cable 3 meters
- ON/OFF rotary knob with integrated indicator light
- Protective fuse
- Safety factor x2 according EN13155
- Service 100%

To achieve the nominal force indicated, the part to be handled must be of sufficient thickness and completely cover the magnetic area.



Type		F-105	F-160	F-210	F-250	F-310
Holding nominal force*	kg	250	550	1200	1800	2500
A	mm	105	160	210	250	310
B	mm	60	90	100	110	110
C	mm	190	210	260	270	270
ØD	mm	35	40	60	60	60
Voltage	Vac	230	230	230	230	230
Power	W	30	40	130	200	250
Weight	kg	6	16	29	42	70

*with safety factor x2, according standards EN13155

Order example:

Electromagnetic lifter

SAV 531.40F - 210 - 230

Designation

SAV N° - type - voltage

ELECTROMAGNETIC LIFTER 110Vdc

SAV 531.40C

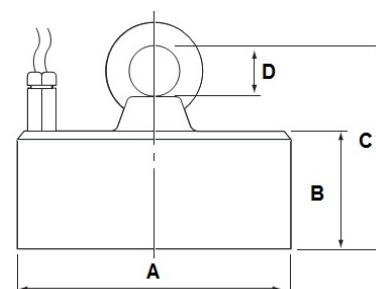
Use :

For lifting and transporting single or bulk parts (screws, shavings, ferrous waste, etc.)

Features :

- Electromagnet operating in 110 Vdc (24 Vdc on request)
- Length of cable 3 meters
- ON/OFF rotary knob with integrated indicator light
- Protective fuse
- Safety factor x2 according EN13155
- Service 100%

To achieve the nominal force indicated, the part to be handled must be of sufficient thickness and completely cover the magnetic area.



Type		C-105	C-160	C-210	C-250	C-310
Holding nominal force*	kg	250	550	1200	1800	2500
A	mm	105	160	210	250	310
B	mm	60	90	100	110	110
C	mm	110	125	170	180	180
ØD	mm	35	40	60	60	60
Voltage	Vcc	110	110	110	110	110
Power	W	30	40	130	200	250
Weight	kg	5	15	27	40	68

*with safety factor x2, according standards EN13155

Order example:

Electromagnetic lifter

SAV 531.40C - 210 - 110

Designation

SAV N° - type - voltage