

## ELECTROPERMANENT HOLDER

SAV 241.40-ND

Demagnetization by current pulse

**Use :**

These holders are used for safety systems or for lifting loads (take a safety factor of 3 for lifting system) in complete safety with regard to main power.

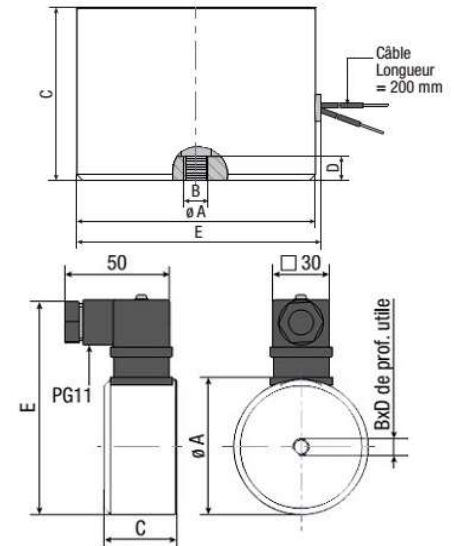
**Features :**

- Nominal voltage : 24 Vdc by free wires(FL)-connector(C-from A=50)
- Insulation class: Y
- Protection : IP 65
- Service : 15%



Dimensions in mm					Thick piece	Force with air gap in N			Power in W	Weight in kg
A <sub>±0,3</sub>	B	C <sub>±0,1</sub>	D	E		0	0,2	0,5		
20	M3	25	5	26	1	29	7	1.7	11,6	0,04
					3	39	7	1.7		
					10	39	7	1.7		
30	M4	32,5	6	35,2	1	46	34	22	25	0,13
					3	181	74	22		
					10	181	74	22		
40	M5	41,7	6	42,7	1	51	36	23	42	0,28
					3	205	89	38		
					10	270	89	38		
50	M5	42,8	6	52,5	1	60	41	34	48	0,45
					3	304	200	95		
					10	607	225	110		
65	M8	45,5	8	67	1	70	50	40	80	0,74
					3	374	340	260		
					10	1220	750	400		
100	M8	67	10	102	1	83	61	49	75	3,00
					3	421	365	338		
					10	2254	1254	686		
150	M16	65	15	152	1	78	46	32	77	7,10
					3	615	475	401		
					10	2205	1490	1100		

The forces are given for a part made of St 37 steel, 100% covered magnet.



**Order example:**

Electropermanent holder Designation SAV 241.40 - 30ND - FL  
SAV N° - A - free wires

## ELECTROPERMANENT HOLDER

SAV 241.40

Demagnetization by current pulse

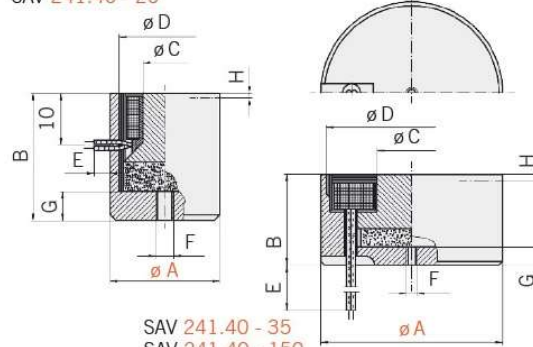
**Use :**

These holders are used for safety systems or for lifting loads (take a safety factor of 3 for lifting system) in complete safety with regard to main power.

**Features :**

- Nominal voltage : 24 Vcc
- Insulation class: E
- Protection : IP 65
- Service : 25% cycle < 2min.  
40% cycle < 30sec.

SAV 241.40 - 20



SAV 241.40 - 35  
SAV 241.40 - 150



Dimensions in mm								Thick pièce	Force with air gap in N					Power in W	Weight in kg
A	B	C	D	E	F	G	H		0	0,1	0,2	0,5	1		
20	22	9,0	18,0	200	M 4	5	1	>2,5	40	10	3,2	-	-	3,6	0,04
35	28	11,2	33,0	200	M 4	5	2	>3,0	160	70	40	11	3	4,6	0,20
55	36	18,0	52,0	200	M 5	6	2	>4,5	420	265	160	52	15	9,0	0,50
70	45	24,0	65,6	200	M 8	8	2	>6,0	720	500	355	160	70	13,3	0,90
90	48	30,0	84,7	200	M 8	8	2	>7,5	1200	920	720	370	130	21,8	1,70
105	56	37,0	98,0	300	M 10	10	3	>9,0	1600	1230	920	380	210	28,0	2,60
150	63	55,0	140,0	300	M 10	16	3	>12,5	3500	2750	2170	1200	510	44,0	6,40

The forces are given for a part made of St 37 steel, 100% covered magnet.

**Order example:**

Electropermanent holder Designation SAV 241.40 - 35  
SAV N° - A