

## ELECTROMAGNETIC SUCTION CUP

SAV 241.31

Magnetization with voltage

**Use :**

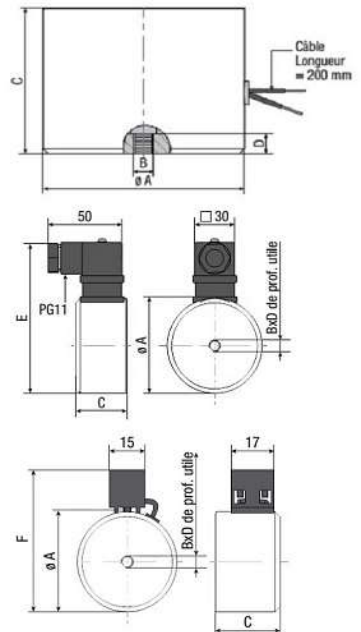
These suction cups are used to hold ferromagnetic parts.  
(take a safety factor of 3 for lifting)



**Features :**

Nominal voltage : 24 Vdc by free wires (FL with CG-M8-D14x20mm)-connector (C from A=50)-terminal (B)  
 Insulation class: B  
 Protection : IP 65  
 Service : 100%

Dimensions in mm						Thick piece	Force with air gap in N				Power in W	Weight in kg
A <sub>±0,3</sub>	B	C <sub>±0,1</sub>	D	E	F		0	0,1	0,2	0,3		
20	M3	12	5	-	-	1	14,5	3,8	1,6	0,3	1,6	0,02
						3	27	5,7	2,6	0,35		
						6	27	5,7	2,6	0,35		
25	M4	20,0	6	-	40	1	27	19	12	3	3,2	0,06
						3	114	47	20	3,5		
						6	135	50	21	3,7		
30	M4	22,0	6	-	45	1	37	24	18	6	4	0,10
						3	170	80	40	9,5		
						6	190	90	45	12		
40	M5	26,0	8	-	55	1	38	30	24	13	5,6	0,20
						3	300	203	133	27		
						6	400	245	160	30		
50	M5	30,0	8	-	65	1	40	32	30	20	6,5	0,30
						3	320	235	185	65		
						6	500	370	240	68		
65	M8	35	12	112	80	1	45	40	35	25	10	0,80
						3	310	290	250	148		
						10	980	750	560	190		
80	M8	38	12	127	95	1	65	42	40	30	15	1,30
						3	430	360	325	230		
						10	2000	1350	1000	420		
100	M10	43	15	147	115	1	70	50	45	35	20	2,10
						3	530	440	426	335		
						10	2600	2200	1700	880		
150	M16	56	24	197	165	3	700	580	550	480	40	6,40
						10	5800	4350	3910	3000		
						18	7104	5760	4992	3840		
200	M20	70	35			3	1050	950	910	850	55	13,40
						6	2960	2930	2620	2520		
						10	7740	6630	6410	5400		
20	15400	13560	13080	10960	8180							



The forces are given for a part made of St 37 steel, 100% covered magnet.

**Order example:**

Electromagnetic suction cup SAV 241.31 - 100 - C - 24  
 Designation SAV N° - A - connector - voltage

## ELECTROMAGNETIC SUCTION CUP

SAV 241.31S

Magnetization with voltage

**Use :**

These suction cups are used to hold ferromagnetic parts.

**Features :**

Nominal voltage : 24 Vdc by cable 1 meter  
 Insulation class : E  
 Protection : IP 65  
 Service : 100%  
 Max.temperature of use : 60° C



**LIFTING CAPACITY Kg (without safety factor) :**

(recommended safety factor between x3 and x5)

Dimensions in mm			Force in daN	Power in W	Weight in kg
A	B	Fixation			
60	40	M12	65	3,5	0,6
80	50	M12	200	12,0	1,5
100	60	M12	360	7,5	2,9
120	80	M12	520	22,0	5,4

The forces are given for a piece of St 37 steel, 30mm thick, 100% covered magnet.

**Order example:**

Electromagnetic suction cup SAV 241.31S - 60x40 - 24V  
 Designation SAV N° - A x B - voltage

